



# HOLCOMBE MIXERS

## G2

### G2 - 10 MODEL

MOBILE CONCRETE MIXER



## *CUSTOMER-FOCUSED INNOVATION*

### WHY OWN A HOLCOMBE VOLUMETRIC MIXER

- Produce fresh concrete on demand, on site
- Deliver waste-free short loads to the yard
- Produce specialty concrete mixes as needed
- Control the quality and supply of your ready mix concrete needs

## HOLCOMBE MIXER APPLICATIONS

### GENERAL CONTRACTOR:

Make spec concrete, from 2,500 PSI to 5,000 PSI, at 50% off ready mix prices.

### POOL BUILDERS:

Make wet shotcrete of dry gunite mixes to take control of your pool construction projects.

### OIL FIELD SERVICES:

Make cement slurry or concrete for plugging, casing, and rat hole services.

### HIGHWAY & ROAD REPAIR SERVICES:

Produce rapid-setting concrete for time-sensitive road and highway repairs.

### UTILITIES CONTRACTORS & MUNICIPALITIES:

Make flowable fill for low cost excavatable backfill for water, sewer, and excavating projects.

7 Joe P Martinez Lane, Ault, CO 80610 • (866) 834-1414  
**HOLCOMBEMIXERS.COM**

# MIX HARD. MIX SMART CRUSH IT

## G2 - 10 SPECIFICATIONS

### THE HOLCOMBE ADVANTAGE

**Intellicrete Technology** takes smart to the next level. Intellicrete simplifies volumetric mixer operations. It ensures admixtures and additives are consistently in sync with the concrete production rate. The concrete quality is unlike anything you've ever seen before.

**Intellicrete Control System** - keeps admixtures and additives consistently in sync with the concrete production rate yielding unparalleled concrete quality. Equipped with onscreen calibration and mix design programming in addition to a pre-pour checklist to verify mix accuracy and promote safety.

**WaterSmart Moisture Control System** - the first of its kind to control concrete slump with dynamic calibration flow control with an electronic proportional water valve.

**InsightFlow Cement Feed** - precision cement feed control optimizes aggregate gate positioning to provide reliable and consistent aggregate brick strike off and dispensing.

**Load Sensing Variable Displacement Hydraulic System** - reduces system temperature and extends the life of components.

**Patented Modular Cassette Conveyor System** - Easily removable modular conveyor cassette with engineered roller chain enables belt changes in under four hours.

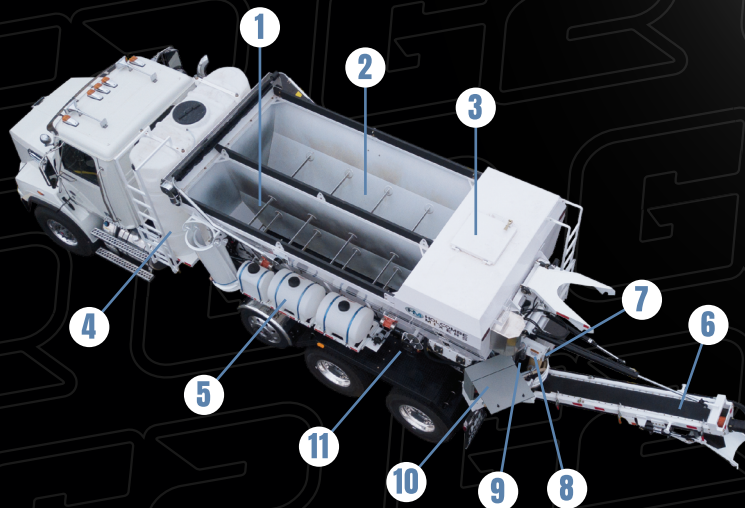
### STANDARD FEATURES

- PLC Touchscreen 7" Color
- CAN Bus Joystick Auger and Chute Controls
- CAN Bus Button and Redundant On Screen Control Of PTO, RPM, and All Mix Functions
- Wireless Remote Control
- Low and 2 High-Flow Admixture Systems
- Gate Verification Sensor System
- Electric Roll Tarp for Aggregates
- Electric Vibrators on Aggregate and Cement Bins
- 12" Mixing Auger with Ni-Hard Wear Blades
- Hydraulic Swing of Mixing Auger and Hydraulic Chute Control
- Variable Cement Control for Flowable Fill Applications
- LED Work Lights

MODEL	HM10H G2 (Gen 2.0)
Production rate-3000 PSI mix (YD/HR, M3/HR)	60 (46)
Water Tank (GAL, L)	530 (2006)
Cement BIN (FT3, M3)	110 (2.8)
Aggregate Bin (FT3, M3)	330 (9.4)
Aggregate Load Height Avg. (IN, M)	127(3.2)
Cement Load Height (IN, M)	137 (3.5)
Auger Diameter (IN, CM)	12 (31)
Auger Swing Angle (DEG)	170
Auger Reach - 2 Chutes (FT, M)	17 (5.2)
Auger Discharge Height (IN, M)	50 (1.3)
Body Length with Auger (IN, M)	300 (7.6)
Body Width (IN, M)	90 (2.29)

### MIXER OPTIONS

- Fiber and Color Dispensers
- 360° Swivel Chute
- Pneumatic Cement Fill Bin with Venting System
- Thermal Transfer Hot Water System



1. Sand Bin
2. Rock Bin
3. Cement Bin
4. Water Tank
5. Admixture System
6. Mixing Auger
7. Discharge Bowl
8. Cement Metering
9. Conveyor Belt
10. Control Panel & PLC Display
11. Rock & Sand Gates



**HOLCOMBE  
MIXERS**

**10H**

**HM10H MODEL**

**MOBILE CONCRETE MIXER**



## ***CUSTOMER-FOCUSED INNOVATION***

### **WHY OWN A HOLCOMBE VOLUMETRIC MIXER**

- Produce fresh concrete on demand, on site
- Deliver waste-free short loads to the yard
- Produce specialty concrete mixes as needed
- Control the quality and supply of your ready mix concrete needs

## **HOLCOMBE MIXER APPLICATIONS**

### **GENERAL CONTRACTOR:**

Make spec concrete, from 2,500 PSI to 5,000 PSI, at 50% off ready mix prices.

### **POOL BUILDERS:**

Make wet shotcrete of dry gunite mixes to take control of your pool construction projects.

### **OIL FIELD SERVICES:**

Make cement slurry or concrete for plugging, casing, and rat hole services.

### **HIGHWAY & ROAD REPAIR SERVICES:**

Produce rapid-setting concrete for time-sensitive road and highway repairs.

### **UTILITIES CONTRACTORS & MUNICIPALITIES:**

Make flowable fill for low cost excavatable backfill for water, sewer, and excavating projects.

7 Joe P Martinez Lane, Ault, CO 80610 • (866) 834-1414

**HOLCOMBEMIXERS.COM**

**MIX HARD. MIX SMART. CRUSH IT.**

## HM10H

## SPECIFICATIONS

### THE HOLCOMBE ADVANTAGE

**Patented Removable Cassette Conveyor**

**Friction-less Conveyor System** reduces fuel consumption per yard of concrete produced

**Load Sensing Variable Displacement Hydraulic System** reduces system temperature and extends life of components

**No-lubrication Conveyor Chain** reduces chain maintenance and eliminates lubrication oil leaks

**Variable Cement Control System** provides for quick changes between mix designs

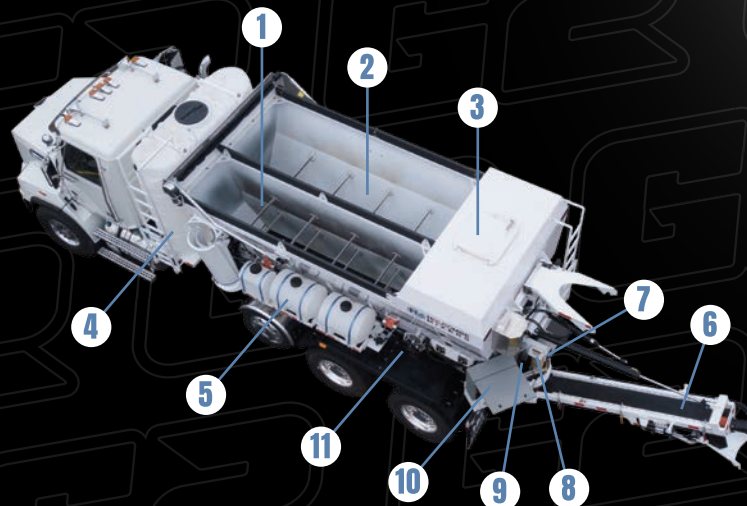
MODEL	HM10H
Production rate-3000 PSI mix (YD/HR, M3/HR)	60 (46)
Water Tank (GAL, L)	530 (2006)
Cement BIN (FT3, M3)	110 (3.1)
Aggregate Bin (FT3, M3)	330 (9.4)
Aggregate Load Height Avg. (IN, M)	125 (3.1)
Cement Load Height (IN, M)	137 (3.5)
Auger Diameter (IN, CM)	12 (31)
Auger Swing Angle (DEG)	170
Auger Reach - 2 Chutes (FT, M)	17 (5.2)
Auger Discharge Height (IN, M)	50 (1.3)
Body Length with Auger (IN, M)	276 (7)
Body Width (IN, M)	90 (2.29)

### STANDARD FEATURES

- PLC Display and Ticket Printer
- Wireless Remote Control
- One (1) Low and Two (2) High-flow Admixture Systems
- Electric Vibrators on Aggregate and Cement Bins
- 12" Mixing Auger with Ni-Hard wear blades
- Hydraulic Swing of mixing auger and hydraulic chute control
- Variable Cement Control for flowable fill applications
- LED Work Lights
- Gate Sensors
- Electric Roll Tarp for Aggregate Bin

### MIXER OPTIONS

- Fiber and Color Dispensers
- 360° Swivel Chute
- Pneumatic Cement Fill Bin
- Thermal Transfer Hot Water System



1. Sand Bin
2. Rock Bin
3. Cement Bin
4. Water Tank
5. Admixture System
6. Mixing Auger
7. Discharge Bowl
8. Cement Metering
9. Conveyor Belt
10. Control Panel & PLC Display
11. Rock & Sand Gates



**HOLCOMBE  
MIXERS**

**10HT**

**HM10HT MODEL**

**MOBILE CONCRETE MIXER**



## ***CUSTOMER-FOCUSED INNOVATION***

### **WHY OWN A HOLCOMBE VOLUMETRIC MIXER**

- Produce fresh concrete on demand, on site
- Deliver waste-free short loads to the yard
- Produce specialty concrete mixes as needed
- Control the quality and supply of your ready mix concrete needs

## **HOLCOMBE MIXER APPLICATIONS**

### **GENERAL CONTRACTOR:**

Make spec concrete, from 2,500 PSI to 5,000 PSI, at 50% off ready mix prices.

### **POOL BUILDERS:**

Make wet shotcrete of dry gunite mixes to take control of your pool construction projects.

### **OIL FIELD SERVICES:**

Make cement slurry or concrete for plugging, casing, and rat hole services.

### **HIGHWAY & ROAD REPAIR SERVICES:**

Produce rapid-setting concrete for time-sensitive road and highway repairs.

### **UTILITIES CONTRACTORS & MUNICIPALITIES:**

Make flowable fill for low cost excavatable backfill for water, sewer, and excavating projects.

7 Joe P Martinez Lane, Ault, CO 80610 • (866) 834-1414

**HOLCOMBEMIXERS.COM**

**MIX HARD. MIX SMART CRUSH IT.**

# HM10HT

## SPECIFICATIONS

### THE HOLCOMBE ADVANTAGE

**Patented Removable Cassette Conveyor**

**Friction-less Conveyor System** reduces fuel consumption per yard of concrete produced

**Load Sensing Variable Displacement Hydraulic System** reduces system temperature and extends life of components

**No-lubrication Conveyor Chain** reduces chain maintenance and eliminates lubrication oil leaks

**Variable Cement Control System** provides for quick changes between mix designs

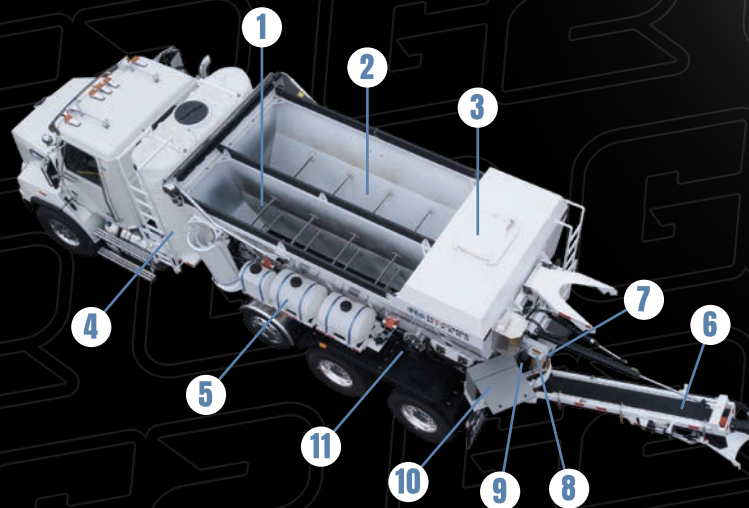
MODEL	HM10HT
Production rate-3000 PSI mix (YD/HR, M3/HR)	60 (46)
Water Tank (GAL, L)	950 (3596)
Cement BIN (FT3, M3)	110 (3.1)
Aggregate Bin (FT3, M3)	330 (9.4)
Aggregate Load Height Avg. (IN, M)	125 (3.1)
Cement Load Height (IN, M)	137 (3.5)
Auger Diameter (IN, CM)	12 (31)
Auger Swing Angle (DEG)	170
Auger Reach - 2 Chutes (FT, M)	17 (5.2)
Auger Discharge Height (IN, M)	50 (1.3)
Body Length with Auger (IN, M)	286 (7.3)
Body Width (IN, M)	90 (2.29)

### STANDARD FEATURES

- PLC Display and Ticket Printer
- Wireless Remote with in Cab Control
- One (1) Low and Two (2) High-flow Admixture Systems
- Electric Vibrators on Aggregate and Cement Bins
- 12" Mixing Auger with Ni-Hard wear blades
- Hydraulic Swing of mixing auger and hydraulic chute control
- Variable Cement Control for flowable fill applications
- LED Work Lights
- Gate Sensors
- Electric Roll Tarp for Aggregate Bin
- 100 HP liquid cooled diesel Engine to Power Mixer

### MIXER OPTIONS

- Fiber and Color Dispensers
- 360° Swivel Chute
- Pneumatic Cement Fill Bin



1. Sand Bin
2. Rock Bin
3. Cement Bin
4. Water Tank
5. Admixture System
6. Mixing Auger
7. Discharge Bowl
8. Cement Metering
9. Conveyor Belt
10. Control Panel & PLC Display
11. Rock & Sand Gates



# HOLCOMBE MIXERS

## 12H

### HM12H MODEL

MOBILE CONCRETE MIXER



## *CUSTOMER-FOCUSED INNOVATION*

### WHY OWN A HOLCOMBE VOLUMETRIC MIXER

- Produce fresh concrete on demand, on site
- Deliver waste-free short loads to the yard
- Produce specialty concrete mixes as needed
- Control the quality and supply of your ready mix concrete needs

## HOLCOMBE MIXER APPLICATIONS

### GENERAL CONTRACTOR:

Make spec concrete, from 2,500 PSI to 5,000 PSI, at 50% off ready mix prices.

### POOL BUILDERS:

Make wet shotcrete of dry gunite mixes to take control of your pool construction projects.

### OIL FIELD SERVICES:

Make cement slurry or concrete for plugging, casing, and rat hole services.

### HIGHWAY & ROAD REPAIR SERVICES:

Produce rapid-setting concrete for time-sensitive road and highway repairs.

### UTILITIES CONTRACTORS & MUNICIPALITIES:

Make flowable fill for low cost excavatable backfill for water, sewer, and excavating projects.

7 Joe P Martinez Lane, Ault, CO 80610 • (866) 834-1414  
**HOLCOMBEMIXERS.COM**

**MIX HARD. MIX SMART CRUSH IT.**

# HM12H

## SPECIFICATIONS

### THE HOLCOMBE ADVANTAGE

**Patented Removable Cassette Conveyor**

**Friction-less Conveyor System** reduces fuel consumption per yard of concrete produced

**Load Sensing Variable Displacement Hydraulic System** reduces system temperature and extends life of components

**No-lubrication Conveyor Chain** reduces chain maintenance and eliminates lubrication oil leaks

**Variable Cement Control System** provides for quick changes between mix designs

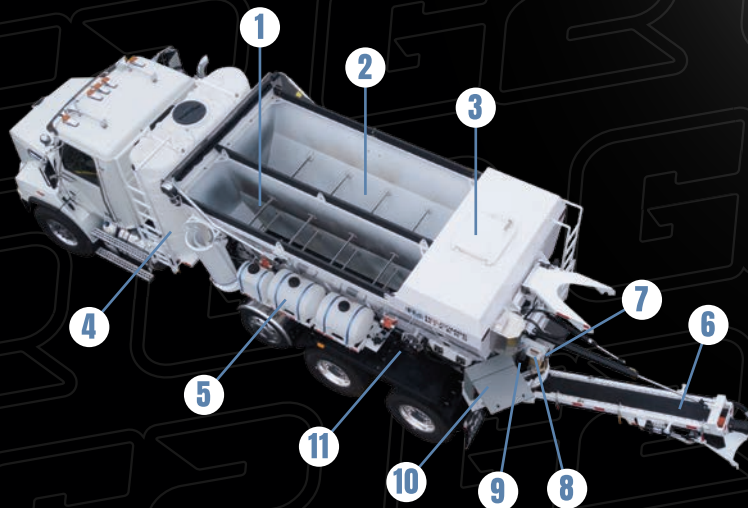
MODEL	HM12H
Production rate-3000 PSI mix (YD/HR, M3/HR)	60 (46)
Water Tank (GAL, L)	530 (2006)
Cement BIN (FT3, M3)	120 (3.1)
Aggregate Bin (FT3, M3)	411 (11.6)
Aggregate Load Height Avg. (IN, M)	125 (3.1)
Cement Load Height (IN, M)	137 (3.5)
Auger Diameter (IN, CM)	12 (31)
Auger Swing Angle (DEG)	170
Auger Reach - 2 Chutes (FT, M)	17 (5.2)
Auger Discharge Height (IN, M)	50 (1.3)
Body Length with Auger (IN, M)	300 (7.6)
Body Width (IN, M)	90 (2.29)

### STANDARD FEATURES

- PLC Display and Ticket Printer
- Wireless Remote with in Cab Control
- One (1) Low and Two (2) High-flow Admixture Systems
- Electric Vibrators on Aggregate and Cement Bins
- 12" Mixing Auger with Ni-Hard wear blades
- Hydraulic Swing of mixing auger and hydraulic chute control
- Variable Cement Control for flowable fill applications
- LED Work Lights
- Gate Sensors
- Electric Roll Tarp for Aggregate Bin

### MIXER OPTIONS

- Fiber and Color Dispensers
- 360° Swivel Chute
- Pneumatic Cement Fill Bin
- Thermal Transfer Hot Water System



1. Sand Bin
2. Rock Bin
3. Cement Bin
4. Water Tank
5. Admixture System
6. Mixing Auger
7. Discharge Bowl
8. Cement Metering
9. Conveyor Belt
10. Control Panel & PLC Display
11. Rock & Sand Gates



**HOLCOMBE  
MIXERS**

**12HE**

**HM12HE MODEL**

**MOBILE CONCRETE MIXER**



## ***CUSTOMER-FOCUSED INNOVATION***

### **WHY OWN A HOLCOMBE VOLUMETRIC MIXER**

- Produce fresh concrete on demand, on site
- Deliver waste-free short loads to the yard
- Produce specialty concrete mixes as needed
- Control the quality and supply of your ready mix concrete needs

## **HOLCOMBE MIXER APPLICATIONS**

### **GENERAL CONTRACTOR:**

Make spec concrete, from 2,500 PSI to 5,000 PSI, at 50% off ready mix prices.

### **POOL BUILDERS:**

Make wet shotcrete of dry gunite mixes to take control of your pool construction projects.

### **OIL FIELD SERVICES:**

Make cement slurry or concrete for plugging, casing, and rat hole services.

### **HIGHWAY & ROAD REPAIR SERVICES:**

Produce rapid-setting concrete for time-sensitive road and highway repairs.

### **UTILITIES CONTRACTORS & MUNICIPALITIES:**

Make flowable fill for low cost excavatable backfill for water, sewer, and excavating projects.

7 Joe P Martinez Lane, Ault, CO 80610 • (866) 834-1414  
**HOLCOMBEMIXERS.COM**

**MIX HARD. MIX SMART. CRUSH IT.**

## HM12HE

## SPECIFICATIONS

### THE HOLCOMBE ADVANTAGE

**Patented Removable Cassette Conveyor**

**Friction-less Conveyor System** reduces fuel consumption per yard of concrete produced

**Load Sensing Variable Displacement Hydraulic System** reduces system temperature and extends life of components

**No-lubrication Conveyor Chain** reduces chain maintenance and eliminates lubrication oil leaks

**Variable Cement Control System** provides for quick changes between mix designs

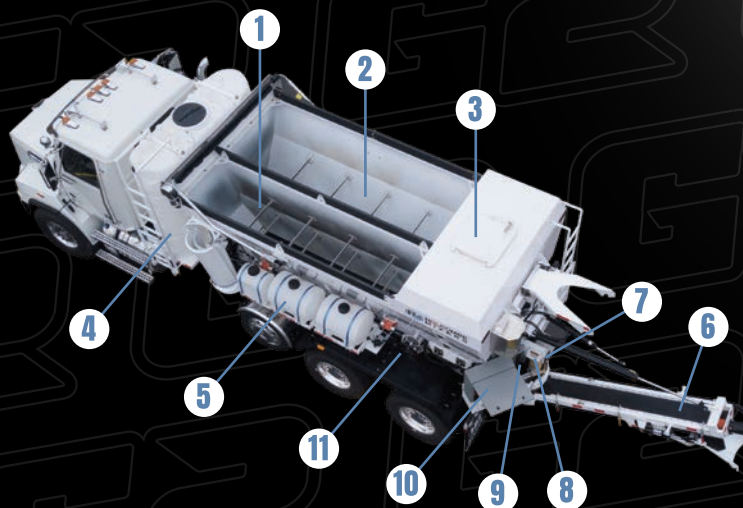
MODEL	HM12HE
Production rate-3000 PSI mix (YD/HR, M3/HR)	60 (46)
Water Tank (GAL, L)	530 (2006)
Cement BIN (FT3, M3)	120 (3.4)
Aggregate Bin (FT3, M3)	370 (10.5)
Aggregate Load Height Avg. (IN, M)	132 (3.4)
Cement Load Height (IN, M)	137 (3.5)
Auger Diameter (IN, CM)	12 (31)
Auger Swing Angle (DEG)	170
Auger Reach - 2 Chutes (FT, M)	17 (5.2)
Auger Discharge Height (IN, M)	50 (1.3)
Body Length with Auger (IN, M)	300 (7.6)
Body Width (IN, M)	90 (2.29)

### STANDARD FEATURES

- PLC Display and Ticket Printer
- Wireless Remote with in Cab Control
- One (1) Low and Two (2) High-flow Admixture Systems
- Electric Vibrators on Aggregate and Cement Bins
- 12" Mixing Auger with Ni-Hard wear blades
- Hydraulic Swing of mixing auger and hydraulic chute control
- Variable Cement Control for flowable fill applications
- LED Work Lights
- Gate Sensors
- Electric Roll Tarp for Aggregate Bin

### MIXER OPTIONS

- Fiber and Color Dispensers
- 360° Swivel Chute
- Pneumatic Cement Fill Bin
- Fly Ash Dispenser
- Thermal Transfer Hot Water System



1. Sand Bin
2. Rock Bin
3. Cement Bin
4. Water Tank
5. Admixture System
6. Mixing Auger
7. Discharge Bowl
8. Cement Metering
9. Conveyor Belt
10. Control Panel & PLC Display
11. Rock & Sand Gates